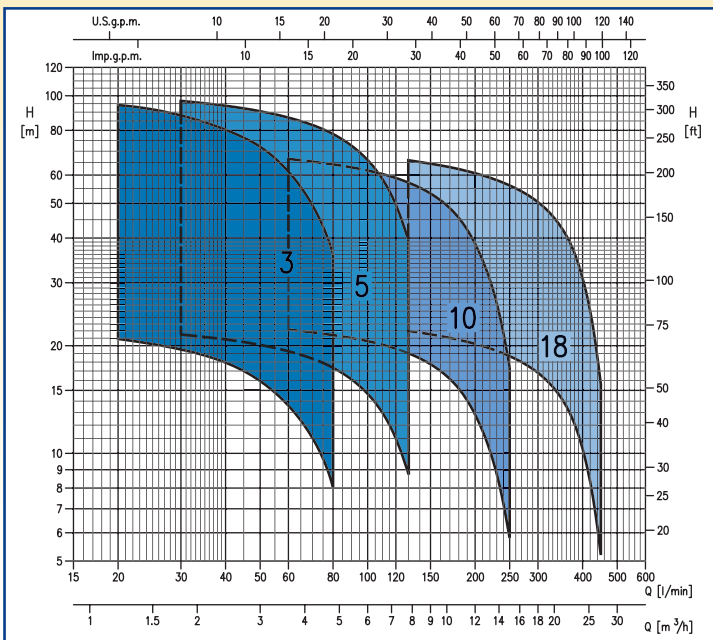
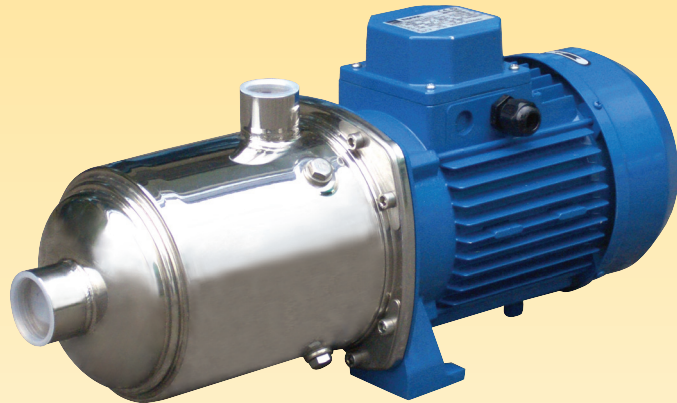




QUALITY Stainless Steel Centrifugal Pump Horizontal Multistage Type MATRIX

APPLICATIONS

- Water distribution and treatment
- Industrial washing equipment
- Heating and air-conditioning
- Pressure boosting
- Industrial plants
- Irrigation
- Industrial & domestic pumping
- General boosting application



Type Key

MATRIX 3 - 9 T / 1.5 M

- 3 - 9**: N° OF IMPELLERS (2, 3, 4, 5, 6, 7, 8, 9)
- T**: T: THREADED PIPE CONNECTION
- 1.5**: MOTOR OUTPUT IN kW (0.45, 0.65, 0.75, 0.9, 1.3, 1.5, 2.2, 3.0, 4.0)
- M**: SINGLE PHASE; OTHERWISE 3 PHASE
- m³/h MAX. EFFICIENCY**: 3, 5, 10, 18

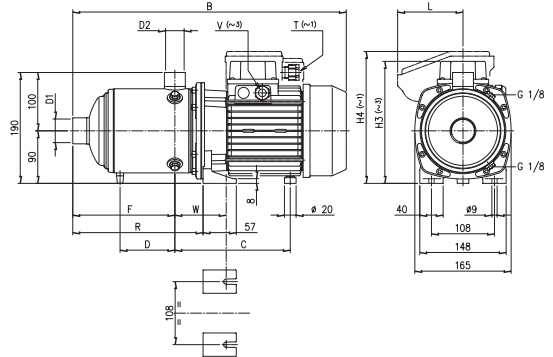
MODEL

PUMP			
Liquid handled	Type of liquid	Water, moderate aggressive solutions, glycol solutions, moderate viscous fluids	
	Max temperature [°C]	110	
	Min temperature [°C]	-15	
	Max chlorine content	500ppm	
Max pressure	[MPa]	1	
Construction	Impeller	Closed centrifugal type	
	Motor bearings	Screened ball bearing - greased for life	
	Pump bearing	MATRIX 3-5 n° 7-8-9 impellers MATRIX 10 n° 6 impellers MATRIX 18 n° 5-6 impellers	
		Type : Sleeve Shaft sleeve : Tungsten Carbide Bearing : Ceramic	
Pipe connection	Suction / Discharge (threads according ISO 228)	MATRIX 3 G 1" - G 1" MATRIX 5 G 1 1/4" - G 1" MATRIX 10 G 1 1/2" - G 1 1/4" MATRIX 18 G 2" - G 1 1/2"	
	Material	Casing	EN 1.4301 (AISI 304)
		Impeller	EN 1.4301 (AISI 304)
		Intermediate casing	EN 1.4301 (AISI 304)
		O-rings	EPDM
Casing cover		EN 1.4301 (AISI 304)	
Shaft seal	Ceramic / Carbon / EPDM		
Liner ring	EN 1.4301 (AISI 304) + PTFE		
Shaft (wet extension)	EN 1.4301 (AISI 304)		
Bracket	Die cast aluminium		
Applicable standard of test		ISO 9906 - Annex A	

MOTOR		
Type	Electric asynchronous TEFC	
	Single phase	Three phase
No. of poles	2	
Rotation speed [rpm]	~ 2850	
Insulation class	F	
Max ambient temperature [°C]	40	
Protection degree	IP 55	
Power rating	[kW]	0.45 ÷ 2.2
	[HP]	0.6 ÷ 3.0
Frequency [Hz]	50	
Voltage [V]	230 ± 10%	230/400 ± 10%
Capacitor	Built in	-
Overload protection	Built in	Provided by the user
Casing material	Aluminium	
Base material - Motor bracket	Aluminium	
Dimensions of cable entry	PG11 - M20x1.5	PG11 / PG13.5

DIMENSIONAL TABLE

MATRIX 3																
Dimensions (mm)																
Pump type	Power kW	HP	D1	D2	B	C	D	F	H3 (-3)	H4 (-1)	L	R	T (-1)	V (-3)	W	Weight (kg)
MATRIX 3-2T/0.45M	0.45	0.6	1"	1"	360	171	-	103	-	200	84	151.5	PG11	-	88÷97	8.5
MATRIX 3-2T/0.45	0.45	0.6	1"	1"	360	171	-	103	192	-	-	151.5	-	PG11	88÷97	8.4
MATRIX 3-3T/0.65M	0.65	0.9	1"	1"	360	171	-	103	-	200	84	151.5	PG11	-	88÷97	9.9
MATRIX 3-3T/0.65	0.65	0.9	1"	1"	360	171	-	103	192	-	-	151.5	-	PG11	88÷97	9.8
MATRIX 3-4T/0.65M	0.65	0.9	1"	1"	384	171	-	127	-	200	84	175.5	PG11	-	88÷97	10.6
MATRIX 3-4T/0.65	0.65	0.9	1"	1"	384	171	-	127	192	-	-	175.5	-	PG11	88÷97	10.4
MATRIX 3-5T/0.75M	0.75	1	1"	1"	408	171	-	151	-	200	84	199.5	PG11	-	88÷97	12.5
MATRIX 3-5T/0.75	0.75	1	1"	1"	408	171	-	151	192	-	-	199.5	-	PG11	88÷97	12.4
MATRIX 3-6T/0.9M	0.9	1.2	1"	1"	432	171	-	175	-	219	106	223.5	M20x1.5	-	88÷97	13.7
MATRIX 3-6T/0.9	0.9	1.2	1"	1"	432	171	-	175	192	-	-	223.5	-	PG11	88÷97	13.7
MATRIX 3-7T/1.3M	1.3	1.8	1"	1"	493	198	118	199	-	226	112	247.5	M20x1.5	-	88÷97	16.3
MATRIX 3-7T/1.3	1.3	1.8	1"	1"	493	198	118	199	209	-	-	247.5	-	PG11	88÷97	16.1
MATRIX 3-8T/1.3M	1.3	1.8	1"	1"	517	198	142	223	-	226	112	271.5	M20x1.5	-	88÷97	16.3
MATRIX 3-8T/1.3	1.3	1.8	1"	1"	517	198	142	223	209	-	-	271.5	-	PG11	88÷97	16.8
MATRIX 3-9T/1.5M	1.5	2	1"	1"	541	198	166	247	-	226	112	295.5	M20x1.5	-	88÷97	18.3
MATRIX 3-9T/1.5	1.5	2	1"	1"	541	198	166	247	209	-	-	295.5	-	PG11	88÷97	17.7



MATRIX 5 - 10-18																	
Dimensions (mm)																	
Pump type	FIG.	Power kW	HP	D1	D2	B	C	D	F	H3 (-3)	H4 (-1)	L	R	T (-1)	V (-3)	W	Weight (kg)
MATRIX 5-2T/0.45M	1	0.45	0.6	1" 1/4	1"	360	171	-	103	-	200	84	151.5	PG11	-	88÷97	8.5
MATRIX 5-2T/0.45	1	0.45	0.6	1" 1/4	1"	360	171	-	103	192	-	-	151.5	-	PG11	88÷97	8.4
MATRIX 5-3T/0.65M	1	0.65	0.9	1" 1/4	1"	360	171	-	103	-	200	84	151.5	PG11	-	88÷97	9.9
MATRIX 5-3T/0.65	1	0.65	0.9	1" 1/4	1"	360	171	-	103	192	-	-	151.5	-	PG11	88÷97	9.8
MATRIX 5-4T/0.9M	1	0.9	1.2	1" 1/4	1"	384	171	-	127	-	219	106	175.5	M20x1.5	-	88÷97	12.2
MATRIX 5-4T/0.9	1	0.9	1.2	1" 1/4	1"	384	171	-	127	192	-	-	175.5	-	PG11	88÷97	12.1
MATRIX 5-5T/1.3M	1	1.3	1.8	1" 1/4	1"	445	198	-	151	-	226	112	199.5	M20x1.5	-	88÷97	15
MATRIX 5-5T/1.3	1	1.3	1.8	1" 1/4	1"	445	198	-	151	209	-	-	199.5	-	PG11	88÷97	14.5
MATRIX 5-6T/1.3M	1	1.3	1.8	1" 1/4	1"	469	198	-	175	-	226	112	223.5	M20x1.5	-	88÷97	15.2
MATRIX 5-6T/1.3	1	1.3	1.8	1" 1/4	1"	469	198	-	175	209	-	-	223.5	-	PG11	88÷97	15.6
MATRIX 5-7T/1.5M	1	1.5	2	1" 1/4	1"	493	198	118	199	-	226	112	247.5	M20x1.5	-	88÷97	17.2
MATRIX 5-7T/1.5	1	1.5	2	1" 1/4	1"	493	198	118	199	209	-	-	247.5	-	PG11	88÷97	16.6
MATRIX 5-8T/2.2M	2	2.2	3	1" 1/4	1"	565	-	142	223	-	231	112	325.5	M20x1.5	-	117.5	22.3
MATRIX 5-8T/2.2	1	2.2	3	1" 1/4	1"	530	198	142	223	209	-	-	271.5	-	PG11	88÷97	18.7
MATRIX 5-9T/2.2M	2	2.2	3	1" 1/4	1"	589	-	166	247	-	231	112	349.5	M20x1.5	-	117.5	22.8
MATRIX 5-9T/2.2	1	2.2	3	1" 1/4	1"	554	198	166	247	209	-	-	295.5	-	PG11	88÷97	18.8
MATRIX 10-2T/0.75M	1	0.75	1	1" 1/2	1" 1/4	379	175	-	118	-	200	84	170.5	PG11	-	92÷101	11.3
MATRIX 10-2T/0.75	1	0.75	1	1" 1/2	1" 1/4	379	175	-	118	192	-	-	170.5	-	PG11	92÷101	11.2
MATRIX 10-3T/1.3M	1	1.3	1.8	1" 1/2	1" 1/4	416	202	-	118	-	226	112	170.5	M20x1.5	-	92÷101	14.7
MATRIX 10-3T/1.3	1	1.3	1.8	1" 1/2	1" 1/4	416	202	-	118	209	-	-	170.5	-	PG11	92÷101	13.9
MATRIX 10-4T/1.5M	1	1.5	2	1" 1/2	1" 1/4	446	202	-	148	-	226	112	200.5	M20x1.5	-	92÷101	15.6
MATRIX 10-4T/1.5	1	1.5	2	1" 1/2	1" 1/4	446	202	-	148	209	-	-	200.5	-	PG11	92÷101	15.4
MATRIX 10-5T/2.2M	2	2.2	3	1" 1/2	1" 1/4	524	-	-	178	-	231	112	284.5	M20x1.5	-	121.5	21.3
MATRIX 10-5T/2.2	1	2.2	3	1" 1/2	1" 1/4	489	202	-	178	209	-	-	230.5	-	PG11	92÷101	17.9
MATRIX 10-6T/2.2M	2	2.2	3	1" 1/2	1" 1/4	554	-	126	208	-	231	112	314.5	M20x1.5	-	121.5	22.4
MATRIX 10-6T/2.2	1	2.2	3	1" 1/2	1" 1/4	519	202	126	208	209	-	-	260.5	-	PG11	92÷101	18.3
MATRIX 18-2T/1.5M	1	1.5	2	2"	1" 1/2	442	205	-	141	-	226	112	196.5	M20x1.5	-	95÷104	14.5
MATRIX 18-2T/1.5	1	1.5	2	2"	1" 1/2	442	205	-	141	209	-	-	196.5	-	PG11	95÷104	14.3
MATRIX 18-3T/2.2M	2	2.2	3	2"	1" 1/2	490	-	-	141	-	231	112	205.5	M20x1.5	-	124.5	20.6
MATRIX 18-3T/2.2	1	2.2	3	2"	1" 1/2	455	205	-	141	209	-	-	196.5	-	PG11	95÷104	17.1
MATRIX 18-4T/3	2	3	4	2"	1" 1/2	527	-	-	178.5	214	-	-	288	-	PG13.5	124.5	21.7
MATRIX 18-5T/4	2	4	5.5	2"	1" 1/2	609	-	130.5	216	214	-	-	325.5	-	PG13.5	124.5	26.9
MATRIX 18-6T/4	2	4	5.5	2"	1" 1/2	646	-	168	253.5	214	-	-	363	-	PG13.5	124.5	28.1

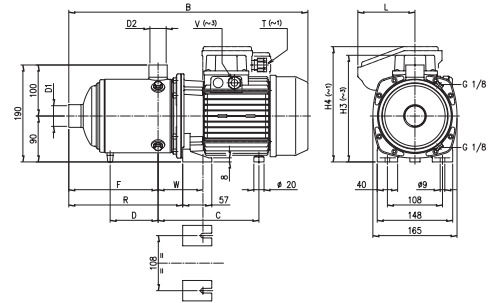


FIG. 1

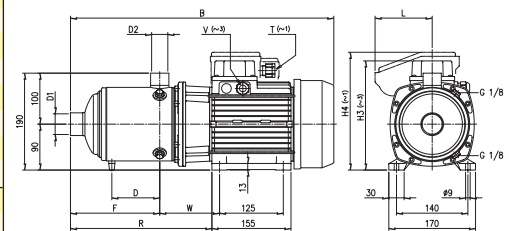


FIG. 2

* M : 1 / PH / 50Hz / 230V ; others 3PH / 50Hz / 415V

*All specifications are subject to change without prior notice.



EBARA Pumps Malaysia Sdn Bhd
6, Jalan TP3, UEP Subang Jaya Industrial Park,
47620 Subang Jaya, Selangor, Malaysia.
Tel : 03-8023 6622 Fax : 03-8023 9355
Email : sales@ebara.com.my
Website : www.ebara.com.my



Authorised dealer:

Certificate No. KLR 0500080
Certificate No. KLR 6027651